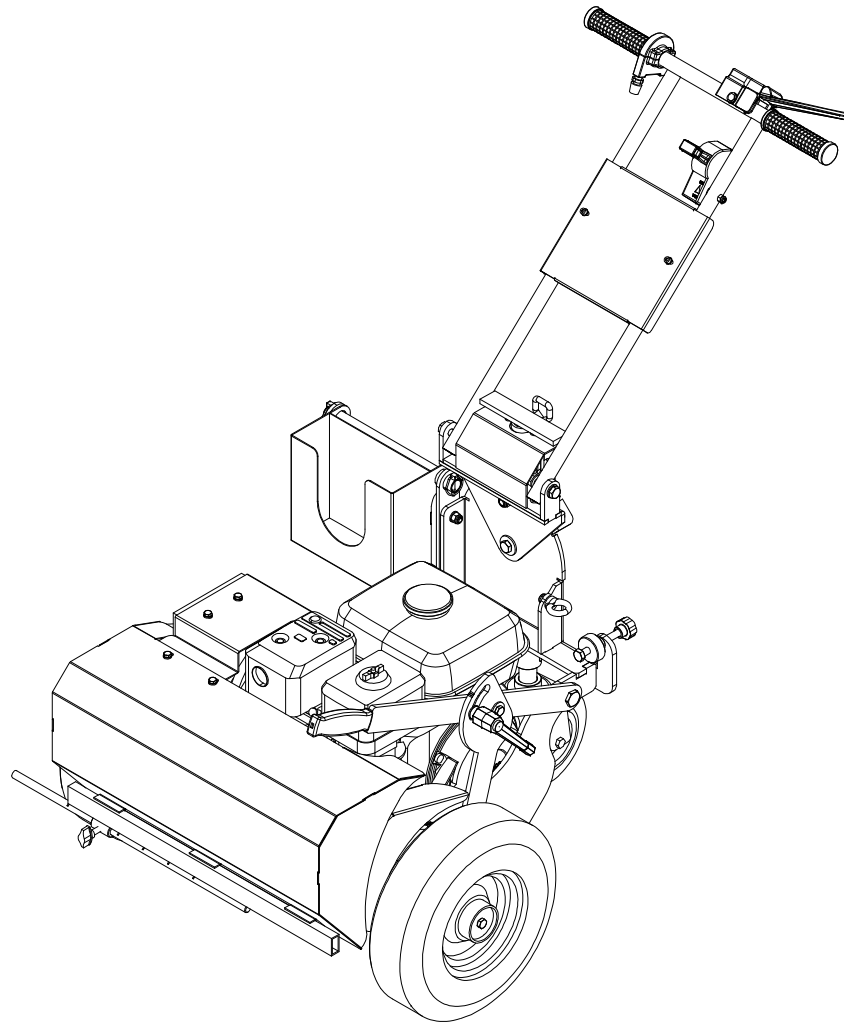


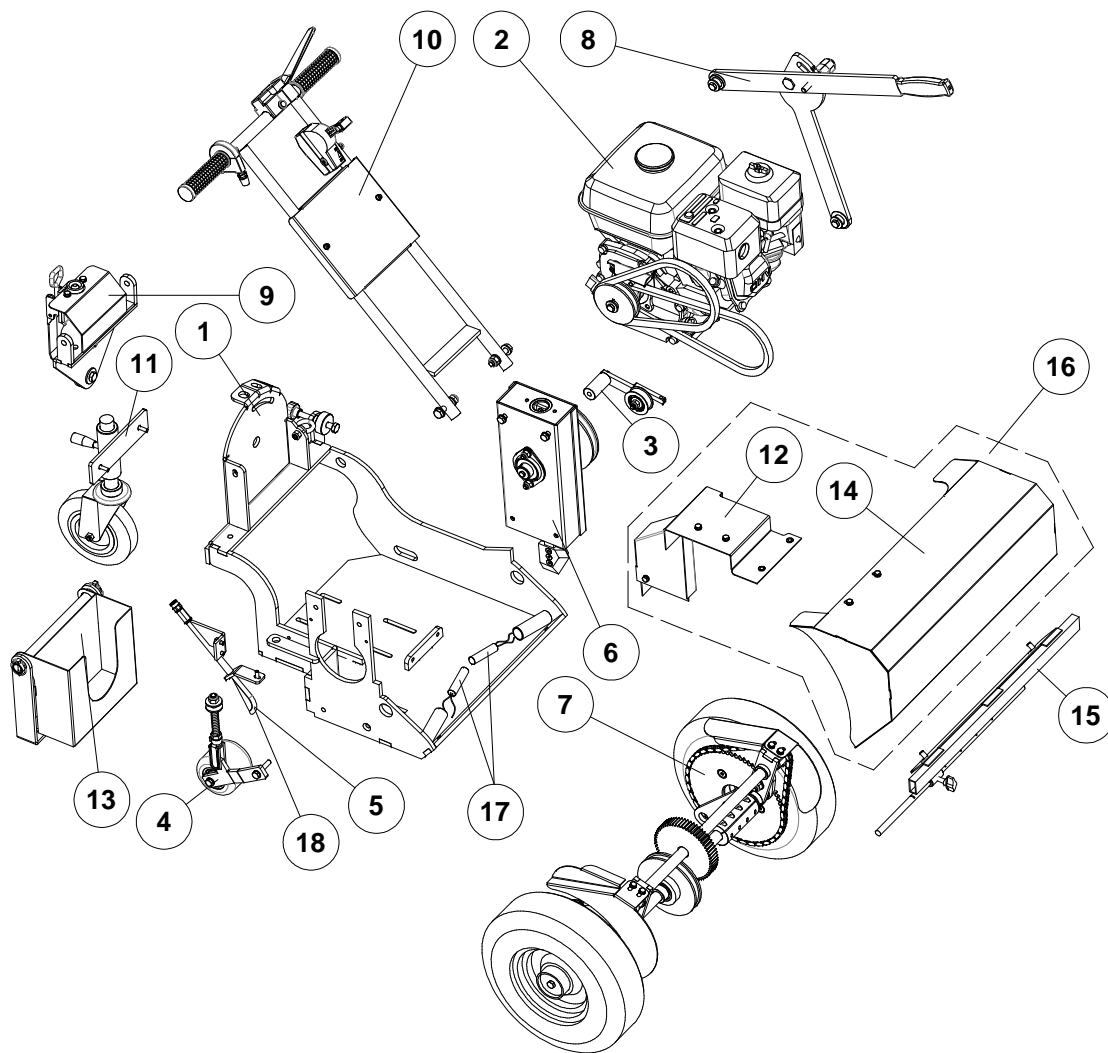
Drop-In 6

Spare parts catalogue



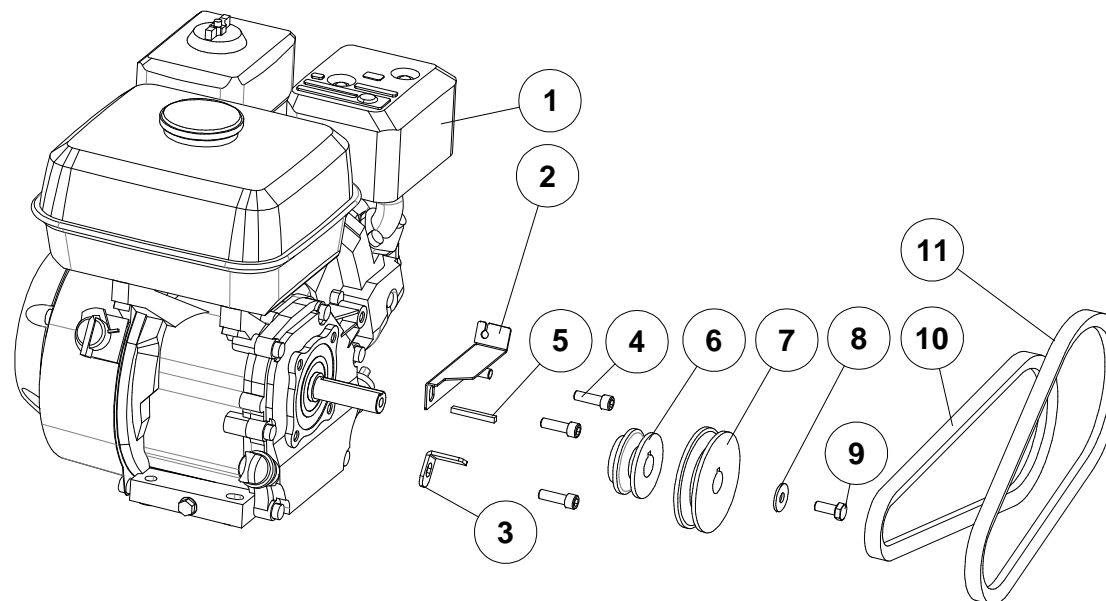
Pos.	Description	No.	Code
1	Machine frame	1	000796
2	Engine Assembly	1	000797
3	Idler Assembly	1	000798
4	Closure wheel Assembly	1	000651
5	Mounting pipe Assy (std)	1	001219
6	Mechanism Assembly	1	001221
7	Self-propelled wheels Assy	1	000800
8	Lever Assembly	1	000801
9	Support handle Assembly	1	000802
10	Handle Assembly	1	000803
11	Rear wheel	1	000831
12	Side cover	1	000660
13	Housing wire box	1	000805
14	Front cover	1	000832
15	Graduated rod	1	000833
16	Cover Assembly	1	000807
17	Sensor Tilt K15	2	001153
18	Mounting pipe Assy \varnothing 6mm*	1	001242

* Optional

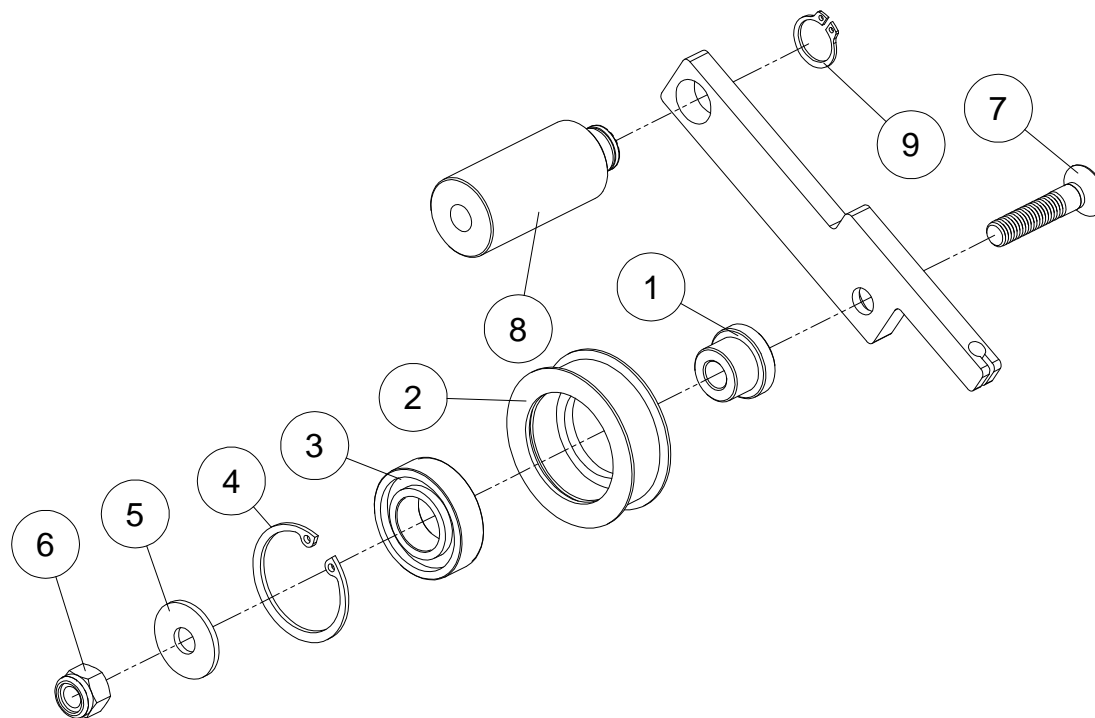


Drop-In 6**T2 – Engine Assembly**www.Autocable.be

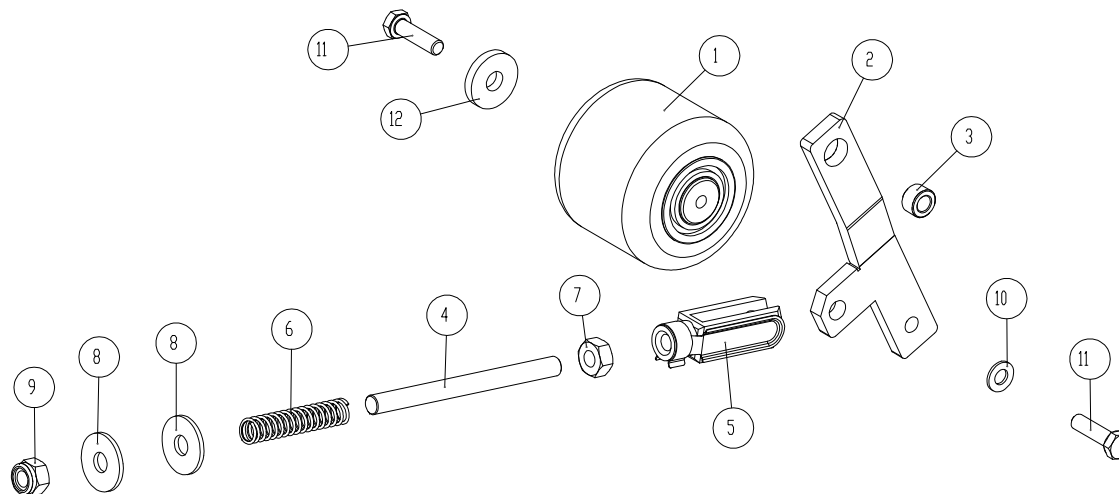
Pos.	Description	No.	Code
1	Engine	1	014100000
2	Belt drive Assembly	1	000709
3	Belt drive	1	000710
4	Screw TCEI 5/15 x 1" ½ UNF	3	900607
5	Engine key	1	530003116
6	Pulley 1 SPA 50	1	900548
7	Pulley 1 SPA 80 hole 19,05	1	900608
8	Washer ø8x24	1	900038
9	Screw TE M8x20	1	900378
10	Belt SPA 29.5	1	900531
11	Belt A-25	1	900604



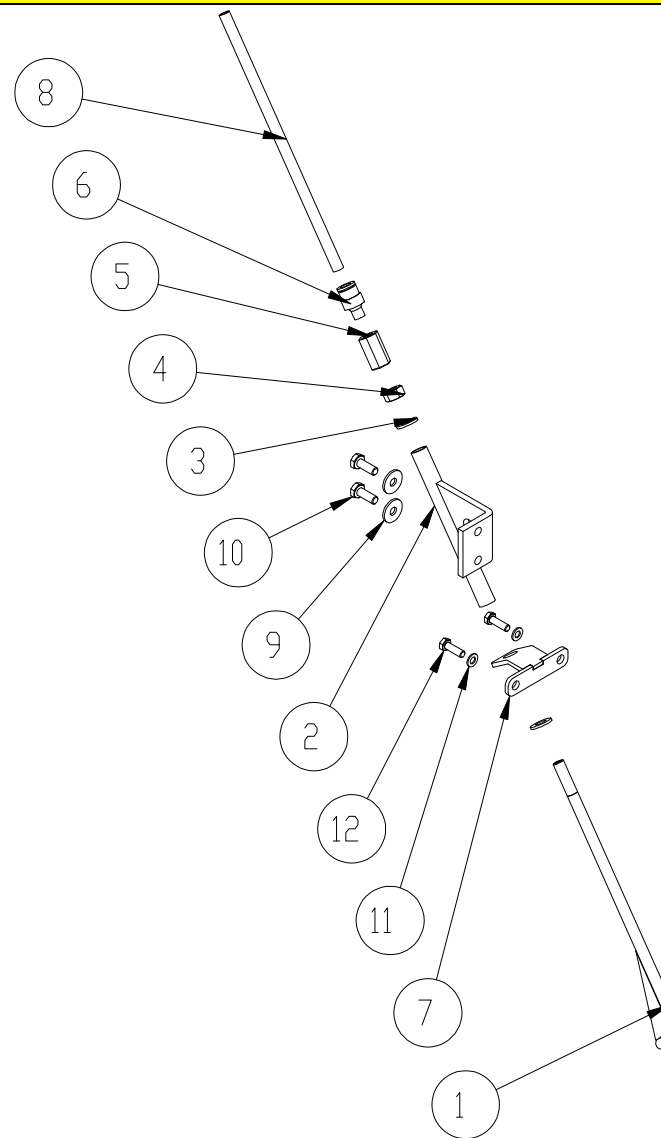
Pos.	Description	No.	Code
1	Bush	1	000692
2	Idler pulley	1	000691
3	Bearing 6003 2 RS	1	900541
4	Seeger ring E-35	1	510003500
5	Washer $\varnothing 8 \times 24$	1	900038
6	Self-lock nut M8	1	900027
7	Screw TSPEI M8x35	1	500003508
8	Idler pin	1	000812
9	Seeger ring E-14	1	900610
10	Lever	1	000690



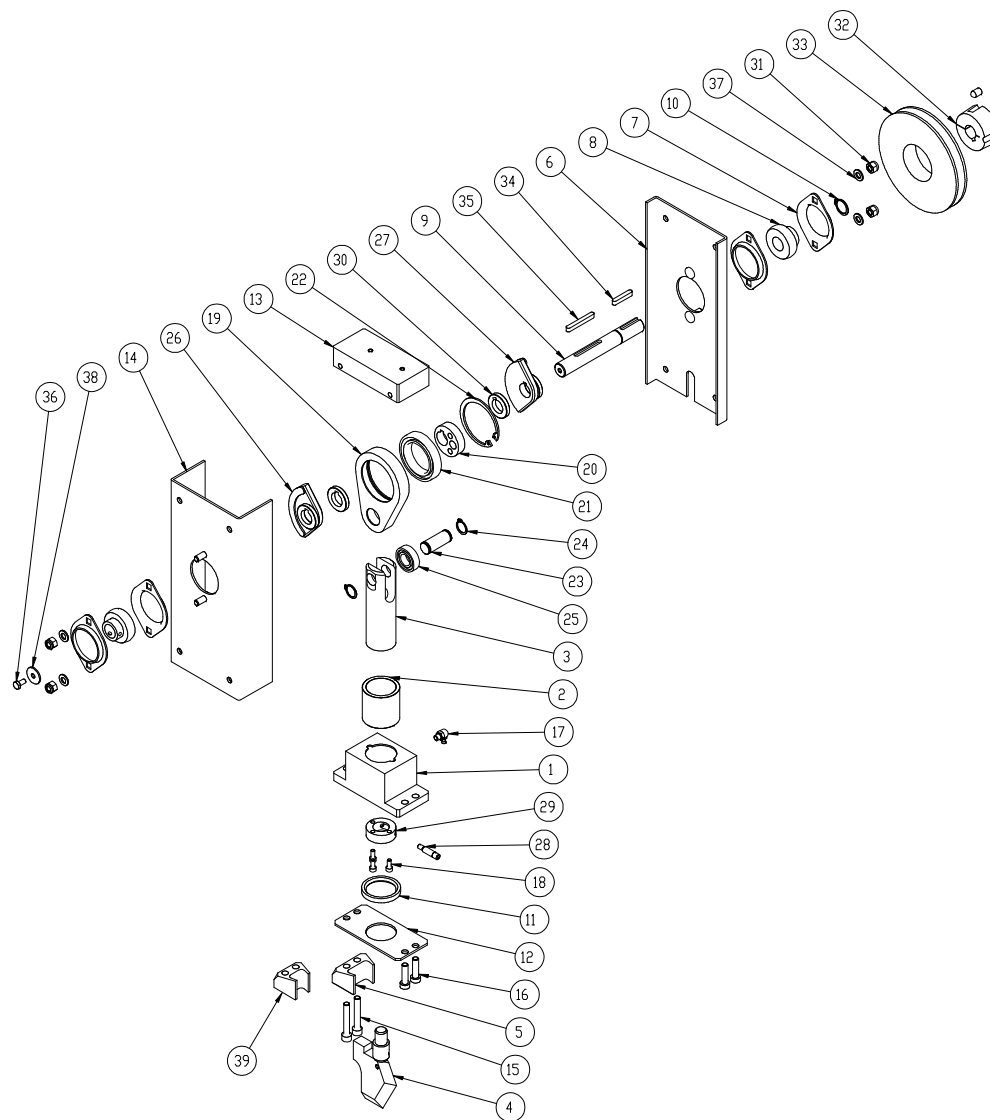
Pos.	Description	No.	Code
1	Wheel Assembly	1	900542
2	Lever	1	000693
3	Spacer	1	000694
4	Threaded rod	1	000695
5	Fork M10	1	900351
6	Key 12x8x60	1	900591
7	Nut M10	1	520008010
8	Washer $\varnothing 10 \times 30$	2	900026
9	Self-lock nut M10	1	900030
10	Washer $\varnothing 8 \times 16$	1	900034
11	Screw TE M8x30	2	900368
12	Washer $\varnothing 30 \times 10.5 \times 5$	1	000433



Pos.	Description	No.	Code
1	Wire drive pipe	1	000697
2	Pipe support Assembly	1	001220
3	Washer $\varnothing 8 \times 16$	2	900034
4	Nut M8	1	500000008
5	Bracket nut M10	1	900529
6	Pipe mount	1	900611
7	Wire drive pipe (bent)	1	001237
8	Polymer pipe	1	001238
9	Washer $\varnothing 6 \times 18$	2	900046
10	Screw TE M6x16	2	900366
11	Washer $\varnothing 5 \times 10$	2	900471
12	Screw TE M5x16	2	900484



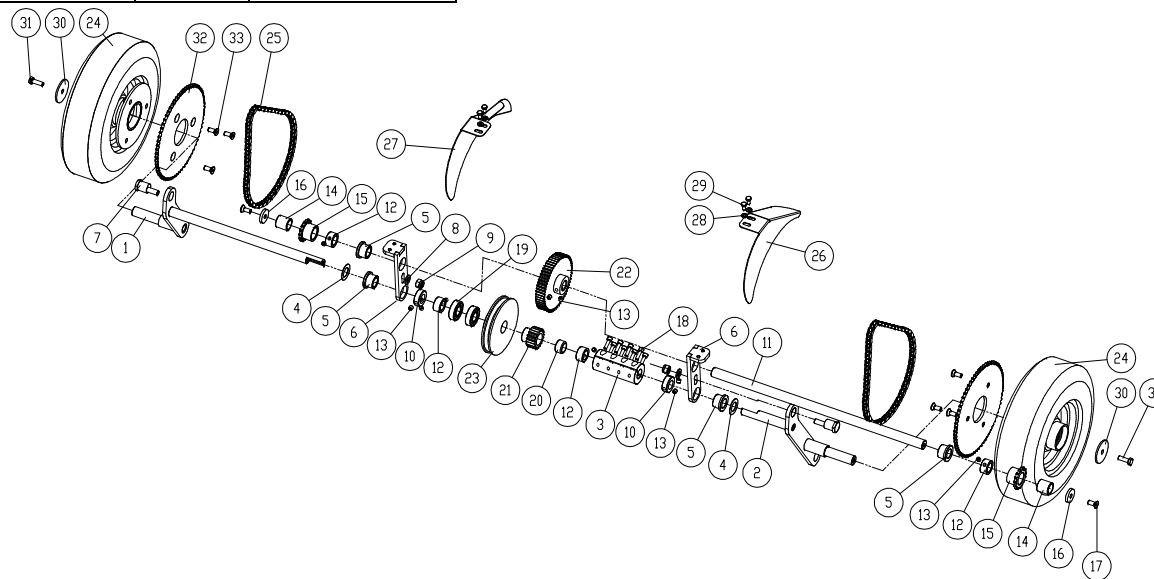
Pos.	Description	No.	Code
1	Motion block drive	1	001222
2	Bronze bush $\varnothing 40 \times 30 \times 50$	1	001230
3	Rod	1	001223
4	Blade	1	001224
5	Blade drive	1	001225
6	Box cover	1	001226
7	Bearing PF 20 RM	4	900544
8	Bearing YAT 204	2	900543
9	Box shaft	1	000706
10	Seeger ring $\varnothing 20$	1	900350
11	Sealing ring $\varnothing 40 \times 52$	1	900875
12	Box cover	1	001227
13	Plug	1	001228
14	Box casing	1	001229
15	Screw TCEI M8x50	2	900874
16	Screw TCEI M8x30	2	900873
17	Greaser M8x1 UNI 7663 C	1	900872
18	Screw TCEI M5x12	3	900871
19	Bearing support	1	000611
20	Cam hole $\varnothing 20$	1	000699
21	Bearing 61909 Z	1	900507
22	Seeger ring $\varnothing 68$	1	900342
23	Rod	1	001231
24	Seeger ring $\varnothing 17$	2	900090
25	Bearing 63003 2 RS	1	900506
26	Counterweight	1	001232
27	Counterweight	1	001233
28	Blade screw	1	001236
29	Blade locking	1	001234
30	Spacer 6 mm	1	001235
31	Self-lock nut M8	4	900027
32	Bush 1610 hole $\varnothing 20$	1	900546
33	Pulley 1 SPA 170	1	900547
34	Key 6x6x30	1	900424
35	Key 6x6x50	1	900870
36	Screw TE M6x16	1	520002406
37	Washer $\varnothing 8 \times 16$	8	900034
38	Washer $\varnothing 8 \times 24$	1	900038
39	Blade drive narrow (optional)	1	001241



Drop-In 6**T7 – Self-propelled wheels Assy**www.Autocable.be

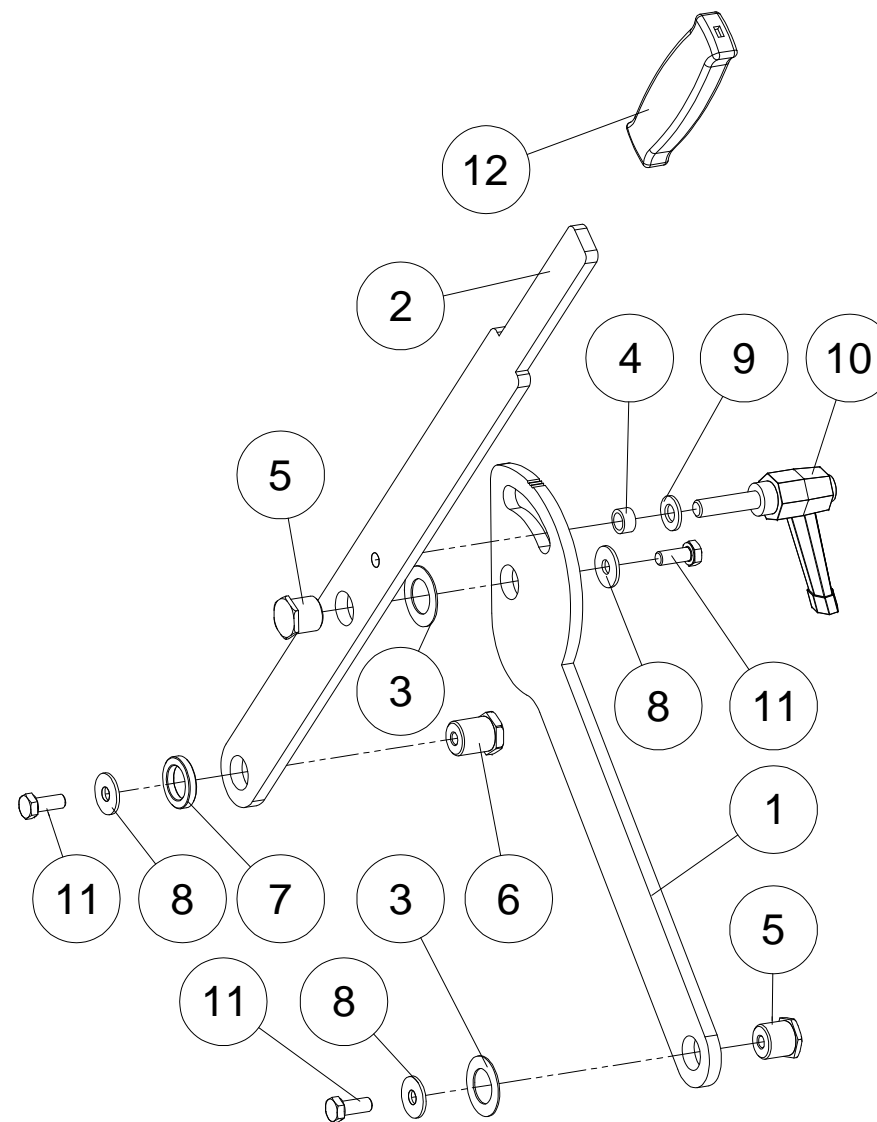
Pos.	Description	No.	Code
1	Wheel support Assembly	1	000813
2	Wheel support lever Assembly	1	000814
3	Decomposable clamp	1	000815
4	Spacer PS \varnothing 20	2	060002201
5	Bush with collar \varnothing 20	4	000655
6	Support shaft Assembly	2	000816
7	Pin with eccentric	2	000817
8	Washer \varnothing 10x20	2	900028
9	Self-lock nut M10	2	900030
10	Lock	2	000818
11	Round rod	1	000819
12	Lock	4	000674
13	Dowel M8x8	10	900612
14	Bearing FCB-20	2	900536
15	Pinion Z-14	2	001239
16	Washer \varnothing 8x24x5	2	000821
17	Screw TSPEI M8x20	2	500011008

Pos.	Description	No.	Code
18	Screw TCEI M6x20	8	900613
19	Bearing 6004 20-42-12	2	900537
20	Bearing 26x20-16	1	900614
21	Gear Z-20	1	000822
22	Gear Z-60	1	000823
23	Pulley 1 SPA 118	1	000682
24	Wheel 4.10/3.50-6 with bearings	2	900533
25	Chain 3/8 (42+1)	2	900876
26	Left cover wheel	1	000824
27	Right cover wheel	1	000825
28	Washer \varnothing 6x12	4	900365
29	Screw TE M6x12	4	900375
30	Lock washer \varnothing 45x3	2	000826
31	Screw TE M8x25	2	500025008
32	Crown 3/8 Z-76	2	001240
33	Screw TSPEI M8x20	6	900043

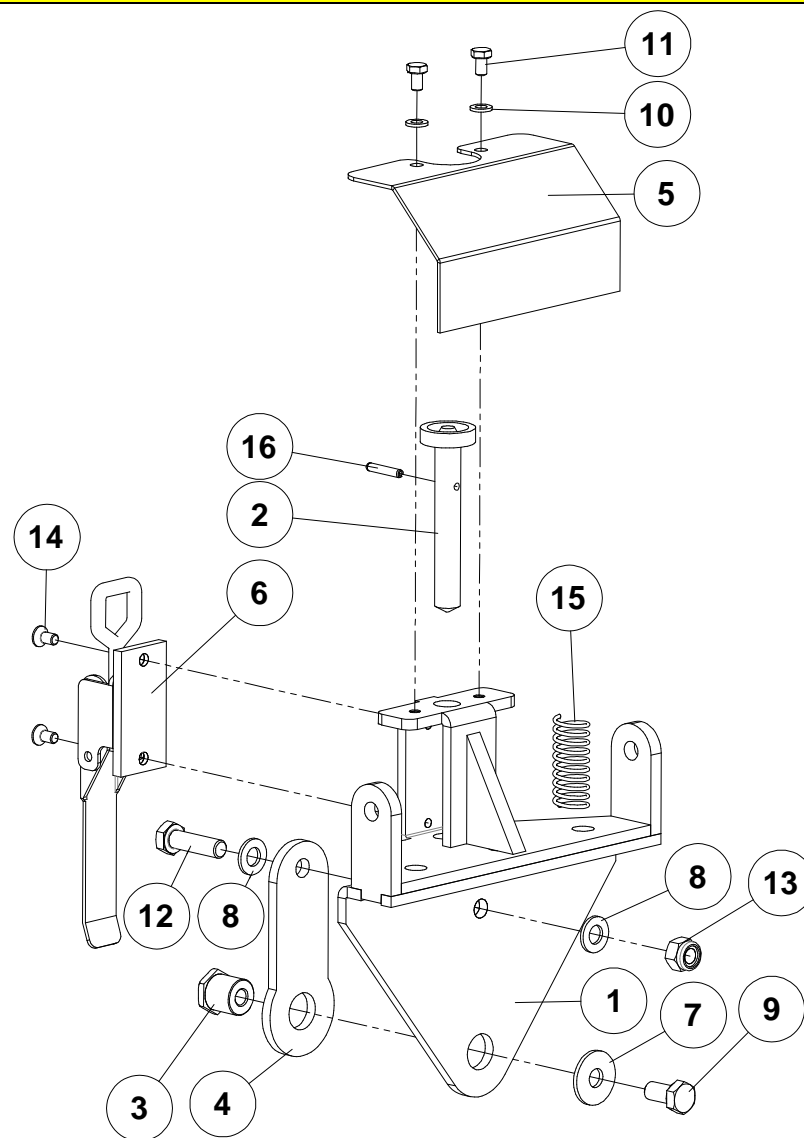


Drop-In 6**T8 – Lever Assembly**www.Autocable.be

Pos.	Description	No.	Code
1	Wheels adjustment lever (W)	1	000809
2	Wheels adjustment lever (L)	1	000810
3	Spacer PS \varnothing 19	2	060002200
4	Bush \varnothing 14x10x7.5	1	000811
5	Articulation pin	2	000666
6	Articulation pin	1	000667
7	Spacer	1	000668
8	Washer \varnothing 8x24	3	900038
9	Washer \varnothing 10x20	1	900028
10	Hand grip M	1	900606
11	Screw TE M8x20	3	900378
12	Handle grip 25x8	1	540002508

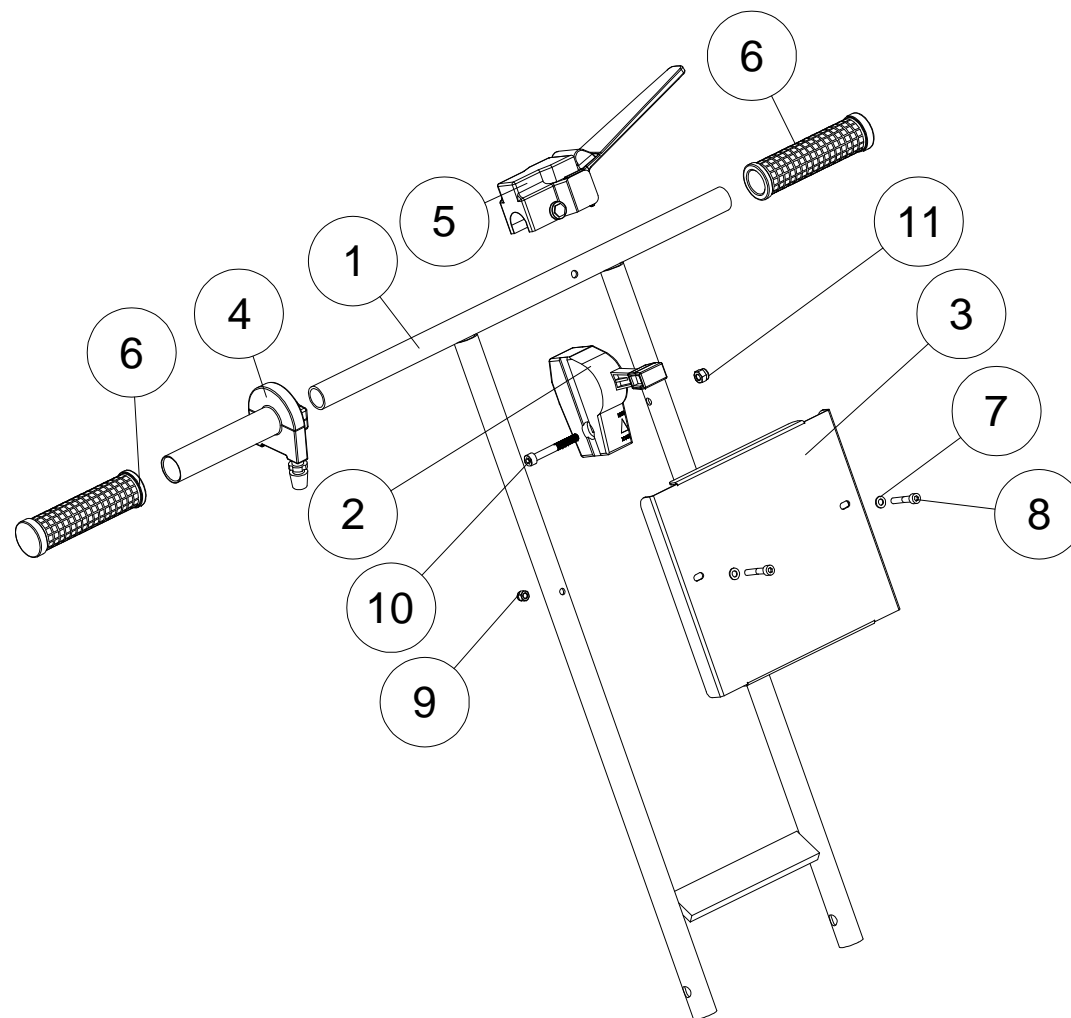


Pos.	Description	No.	Code
1	Revolving handle support As.	1	000834
2	Revolving handle support pin	1	000835
3	Pin with hexagonal head	1	000836
4	Mobile plate	1	000837
5	Cover	1	000838
6	Lever hook	1	900618
7	Washer $\varnothing 10 \times 30$	1	900026
8	Washer $\varnothing 10 \times 20$	2	900028
9	Screw TE M10x20	1	900242
10	Washer $\varnothing 6 \times 12$	2	900365
11	Screw TE M6x10	2	900332
12	Screw TE M10x35	1	900442
13	Self-lock nut M10	1	900030
14	Screw TSPEI M6x12	2	900552
15	Spring	1	900619
16	Elastic pin	1	900500



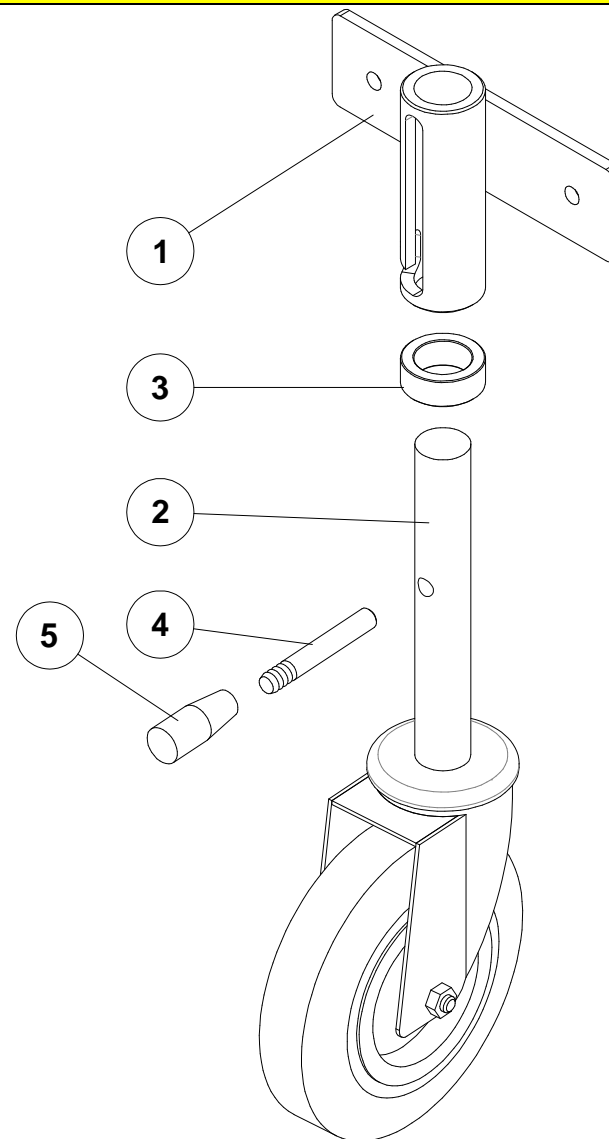
Drop-In 6**T10 – Handle Assembly**www.Autocable.be

Pos.	Description	No.	Code
1	Handle	1	000828
2	Throttle lever	1	900877
3	Handle cover	1	000829
4	Rapid	1	900616
5	Safety lever	1	900554
6	Handle grip ø17	2	900538
7	Washer ø5x10	2	900471
8	Screw TCEI M5x30	2	500030005
9	Self-lock nut M5	2	520002005
10	Screw TCEI M6x50	1	900617
11	Self-lock nut M6	1	500022006



Drop-In 6**T11 – Rear wheel**www.Autocable.be

Pos.	Description	No.	Code
1	Revolving wheel support	1	000804
2	Wheel	1	000665
3	Spacer	1	000839
4	Rear wheel adjustment lever	1	000840
5	Handle grip	1	900620



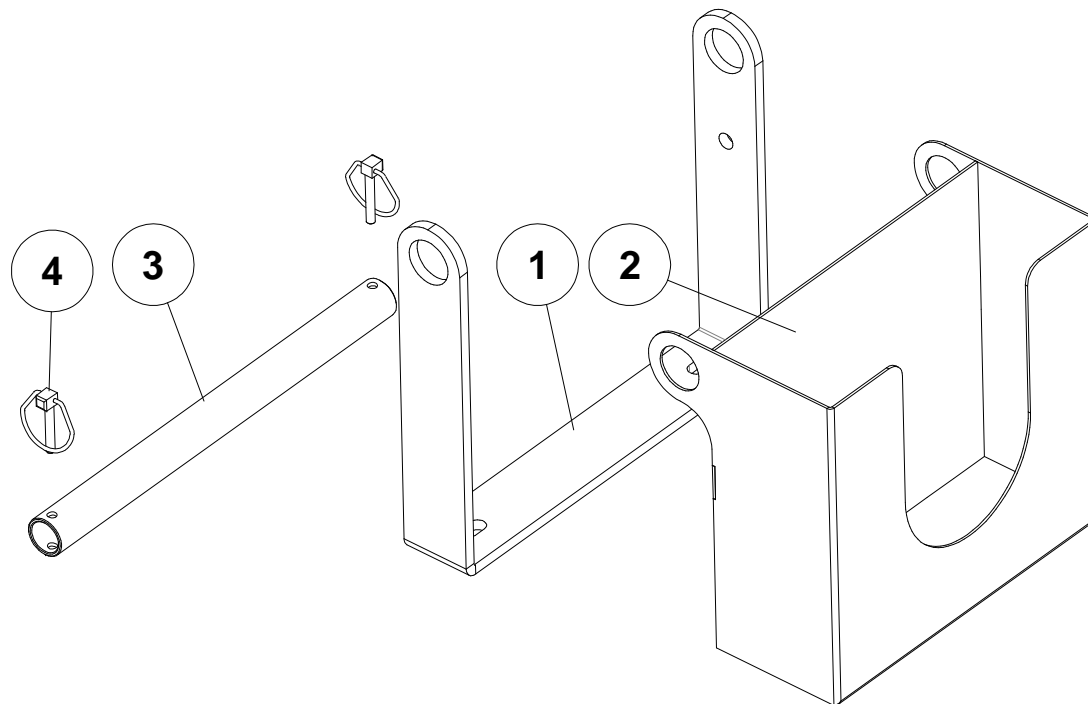
Drop-In 6

T12 – Housing wire box

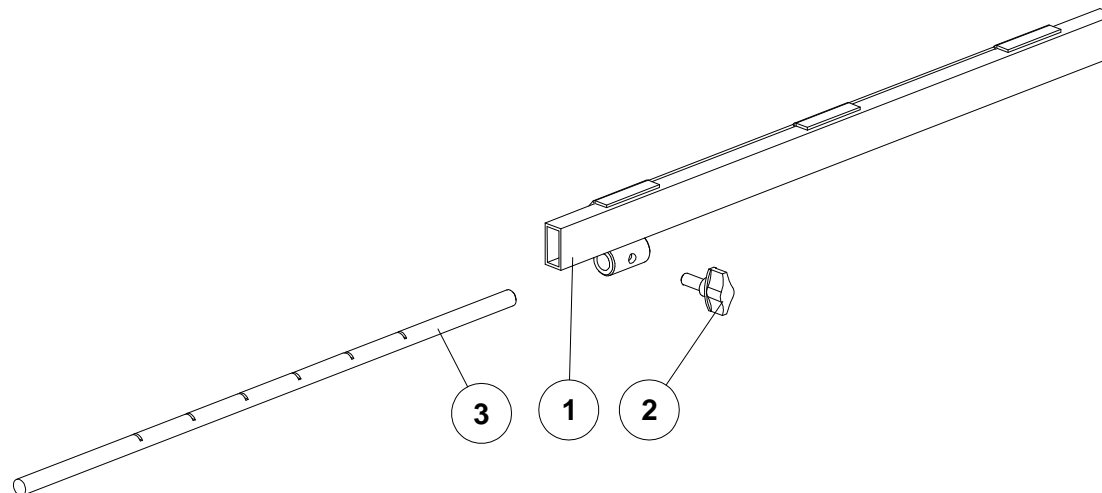
www.Autocable.be

Pos.	Description	No.	Code
1	Clamp	1	000841
2	Wire box	1*	000842
3	Pin	1	000843
4	Split pin	2	900621

* Optional



Pos.	Description	No.	Code
1	Tubular support rod	1	000806
2	Wing nut	1	900040
3	Graduated rod	1	000808



Drop-In 6

Accessories – Wire ø6 mm kit (Optional)

www.Autocable.be

Pos.	Description	No.	Code
1	Wire drive pipe	1	001103
2	Pipe support Assembly	1	001243
3	Washer ø8x16	2	900034
4	Washer ø5x10	2	900471
5	Screw TE M5x16	2	900484
6	Pipe mount	1	900611
7	Wire drive pipe (bent)	1	001244
8	Polymer pipe	1	001238
9	Washer ø6x18	2	900046
10	Screw TE M6x16	2	900366

